



DRIVEN BY POSSIBILITY™

POWER TRANSMISSION:

GATES V-BELTS

THE POWER BEHIND POWER TRANSMISSION

Gates manufactures the largest line of standard V-belts in the industry. It's an extensive and accessible inventory of products with unmatched performance characteristics and unlimited range.

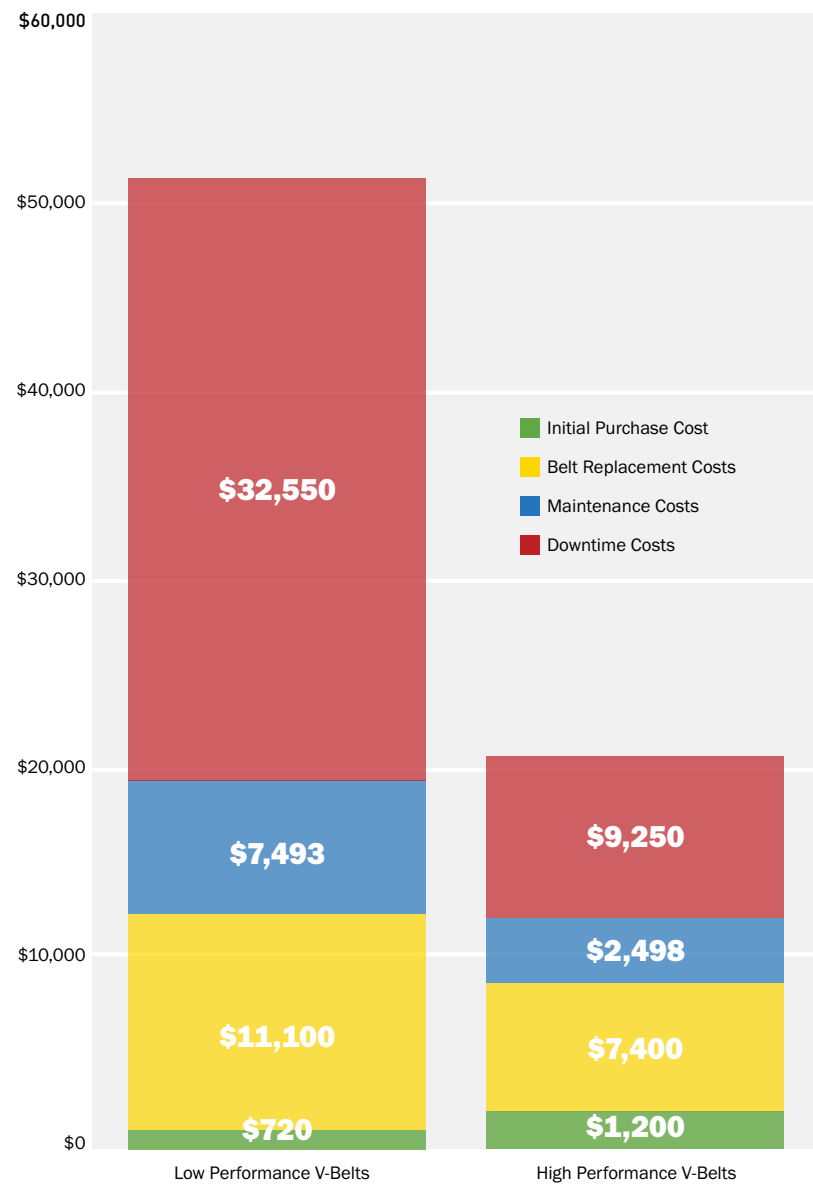
ENDLESS APPLICATIONS

- Decrease operational costs
- Maximize production uptime
- Reduce maintenance costs

POWER TRANSMISSION: THE HIGH COST OF LOW-PERFORMING V-BELTS

V-belts are essential to power transmission in industrial applications throughout the world. Belt slippage, stretching and wear result in big problems for most facilities—with excessive downtime spent constantly retensioning, maintaining and replacing underperforming belts.

Saving money upfront with less expensive V-belts may seem like a good idea initially, until you realize the hidden costs associated with choosing lower-performing belts.



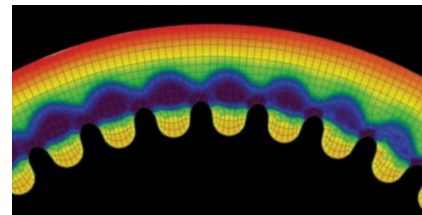
MAXIMIZE EFFICIENCY AND COST SAVINGS

Gates materials science innovation allows us to offer the broadest range of belt drives for the most demanding conditions. Our comprehensive line of belts is designed to improve reliability, and efficiency, while maximizing performance and ensuring long life.



Expanded Belt Temperature Range with Gates Ethylene

High temperatures degrade the lifespan of a v-belt dramatically. Gates patented ethylene technology stands up to the widest temperature range to avoid cracking.



Molded Notch Advantages

Molded notch v-belts dissipate heat better than standard v-belts, and they provide a drop-in replacement for low performance standard v-belts. The notched design is engineered to withstand maximum bending stress while increasing flexibility for improved energy efficiency. Molded notch belts are optimized for loaded durability that provides smooth, stable operation.

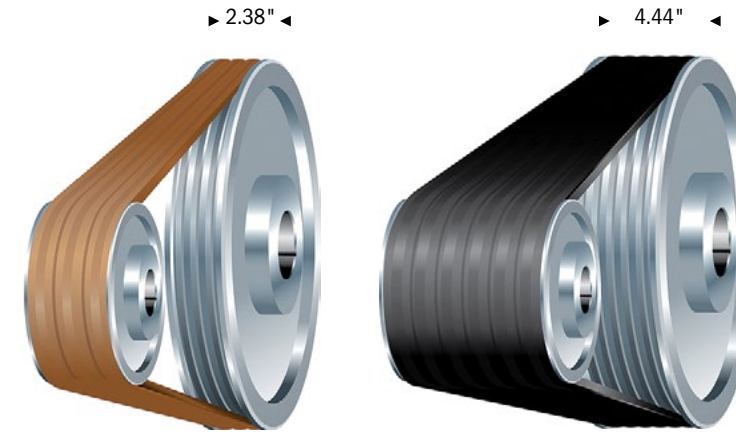
Flexibility

Gates belts are 2x more flexible than competitive low performance belts, which leads to longer belt life on smaller diameter sheaves.

POWER TRANSMISSION: CAPTURE OPERATING INEFFICIENCIES WITH PREDATOR™ BANDED BELTS

With the highest rated horsepower of any V-belt, Gates Predator™ V-Belts have aramid tensile cord reinforcement for extreme strength and a clutching bareback cover for superior shock load absorption and abrasion resistance.

- Reduce drive costs up to 35%
- Reduce drive width up to 67%
- Reduce drive weight up to 50%



GATES PREDATOR®

Half the weight and width, more than double the power density

OTHER DRIVES

Twice the bulk and one-third more expensive

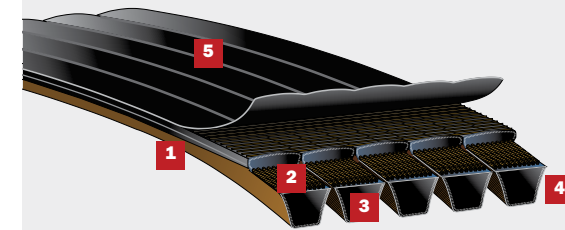
READY FOR DELIVERY

Gates has the right solutions, in stock and ready to ship.

	CLASSICAL	NARROW	METRIC
SINGLES	AB, BP, CP	5VP, 8VP	SPBP, SPCP
POWERBANDS	CP	3VP, 5VP, 8VP	



PATENTED CONSTRUCTION MAXIMIZES BELT PERFORMANCE



1. Reduce friction and heat buildup under shock load with abrasive and puncture-resistant bareback (non-rubber) **double layer fabric cover**.
2. Minimal need for retensioning due to stronger-than-steel **aramid fiber cords** that reduce belt stretch by 50% over standard V-belts.
3. Oil- and heat-resistant **chloroprene compound body**, rated for 180°F, outperforms other rubbers in harsh operating conditions.
4. Extend drive life with our **patented curved sidewall** that allows belt to enter the sheave groove cleanly and smoothly, reducing sidewall wear on belt and sheave.
5. **Multiple-layer tie band** joins belts together into a Predator PowerBand™ that provides lateral rigidity for reduced vibration and belt turnover on multi-groove sheaves.

OUR INNOVATIVE PREDATOR® IS ONLY ONE EXAMPLE AMONG A FULL LINE OF INDUSTRY-LEADING V-BELT PRODUCTS. MAKE SURE YOU SEE THEM ALL AT GATES.COM/VBELT.



SUPER HC XP

We measure every aramid belt before it goes out the door to ensure it meets specifications. If not, it never leaves the plant.

- Molded notches withstand maximum bending stress and **improve energy efficiency**
- Aramid tensile cords deliver **extraordinary strength** and durability with limited stretch
- Optional **PowerBand™** construction for even load distribution and to prevent belt turnover
- Delivers **50% more horsepower for reduced drive width**, weight and cost
- Expanded temperature range **resists cracking**

GATES SUPPORT IS SECOND TO NONE

Take advantage of the most experienced engineering, customer service and field sales experts in the industry, including:

- Local application and engineering resources
- Catalog and drive selection software
- Nationwide sales force
- Training and maintenance seminars
- 1,975 nationwide industrial distributors

WE'RE HERE TO HELP POWER YOUR SUCCESS. CALL GATES AT 303-744-5800 FOR SOLUTIONS TO ANY OF YOUR POWER TRANSMISSION CHALLENGES.