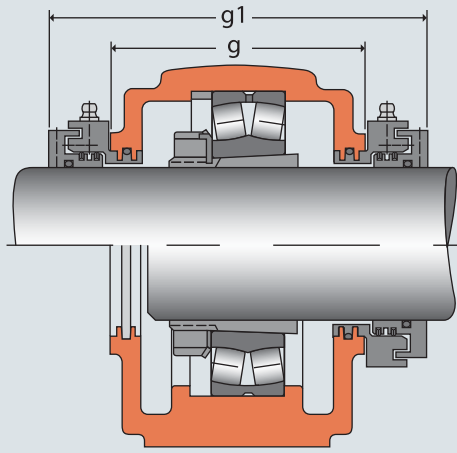


FAG



FAG SuperTac II Taconite Seals
The Drop-in Solution



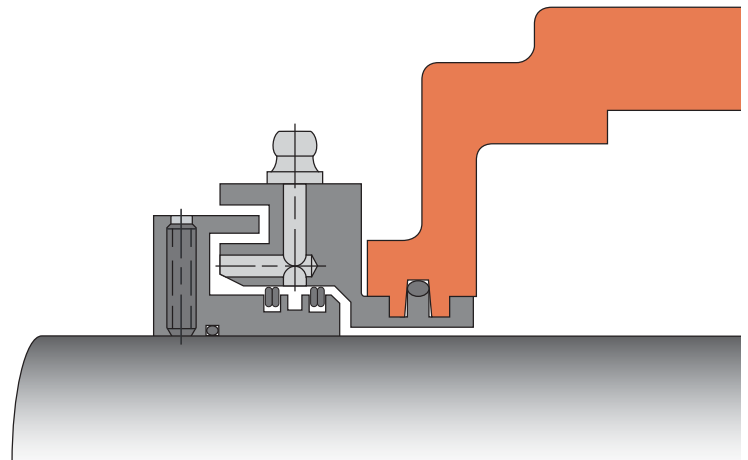
Dimensions “g” and “g1” apply to SuperTac II seals installed with FAG series SAF5..D pillow blocks. Dimensions may vary when using SuperTac II seals with non-ductile iron FAG SAF series pillow blocks, or with a non-FAG pillow block.

FAG Super Tac II Taconite Seals

Shaft inch / mm	Pillow Block	FAG Seal No.	Dimensions		Shaft inch / mm	Pillow Block	FAG Seal No.	Dimensions	
			g inch / mm	g1 inch / mm				g inch / mm	g1 inch / mm
1 ¹ / ₁₆	SAF509	TA17A	3.420 87	5.910 150	4 ³ / ₁₆	SAF524	TA113A	7.125 181	10.314 262
1 ¹ / ₈	SAF510	TA20A	3.420 87	5.910 150	4 ⁷ / ₁₆	SAF526	TA117A TA117A.M	7.750 197	11.214 285
1 ¹ / ₄	SAF511	TA24A TA24A.M	3.750 95	6.269 159	4 ¹ / ₂	SAF528	TA122A TA122A.M	7.375 187	10.818 275
50	SAF513	TA29A	4.250 108	6.782 172	5 ³ / ₁₆	SAF530	TA125A TA125A.M	8.125 206	11.890 302
2 ³ / ₁₆	SAF515	TA37A	4.625 117	7.367 187	5 ¹ / ₂	SAF532	TA130A TA130A.M	8.500 216	12.215 310
2 ¹ / ₂	SAF516	TA44A TA44A.M	4.750 121	7.520 191	5 ¹ / ₂	SAF534	TA140A TA140A.M	9.250 235	13.150 334
70	SAF517	TA53A TA53A.M	4.813 122	7.740 197	6 ¹ / ₁₆	SAF536	TA148A TA148A.M	9.625 244	13.720 348
2 ¹ / ₂	SAF518	TA188A TA188A.M	5.500 140	8.138 207	6 ¹ / ₂	SAF538	TA155A TA155A.M	10.500 267	14.671 373
3 ³ / ₁₆	SAF520	TA102A TA102A.M	5.813 148	9.025 229	7 ³ / ₁₆	SAF540	TA159A TA159A.M	11.000 279	15.417 392
80	SAF522	TA109A TA109A	6.438 164	9.682 246	7 ¹ / ₂	SAF544	TA167A TA167A.M	11.750 298	16.265 413
3 ¹ / ₂					100				



SuperTac II seals are unavailable for some metric shaft sizes due to inadequate space between the shaft and housing seal grooves to accommodate the seal design.



At the Sign of Contamination, the Seal that Delivers

In the most severe service conditions, for which FAG pillow blocks are so highly suited, it is common for the rolling bearings to be exposed to the risk of the adverse affects of environmental contamination. In order to prevent premature bearing failure due to localized pollutants, the selection of a reliable seal arrangement can become the most important consideration in the bearing and housing assembly.

For a virtually impenetrable and standard seal design, FAG offers the drop-in SuperTac II.

Design Features

- FAG SuperTac II seals are manufactured from high grade steel with black oxide coating as standard; special design option of nickel plating is available upon request
- the internal design features a radial / axial web barrier to external contaminants
- a grease packed radial labyrinth is formed by high grade spring steel laminar rings that align into two close running barriers, separated by a lubricant distribution channel
- working together with the grease purged axial labyrinth, the result is a web that stands virtually impenetrable
- the seal flinger is equipped with 2 set screws spaced at a 65° interval for maximum holding power to the shaft
- an o-ring in the flinger bore prevents the ingress of fluids between the seal and shaft



Operating Benefits

- FAG SuperTac II is designed as a drop-in fit to the seal grooves of FAG series SAF pillow blocks, as well as many competitive designs, eliminating the need for special housing features
- the non-contact seal design eliminates shaft wear common to competitive designs
- SuperTac II seals accept greater misalignments than lip seals
- exceptional speed characteristics: equivalent to bearing speed limits





In the United States:
Schaeffler Group USA, Inc.
308 Springhill Farm Road
Fort Mill, SC 29715
Tel.: 803-548-8500
Fax: 803-548-8599

In Canada:
Schaeffler Canada Inc.
2871 Plymouth Road
Oakville, ON Canada L6H 5S5
Tel.: 905-829-2750
Fax: 905-829-2563

www.schaeffler.us

Every care has been taken to ensure the correctness of the information contained in this publication but no liability can be accepted for any errors or omissions. We reserve the right to make changes in the interest of technical progress.

©2011

This publication or parts thereof may not be reproduced without our permission.

WL 90 125/3 EC/ED