

Grid Couplings

1635 Stieve Drive, South Haven, MI 49090

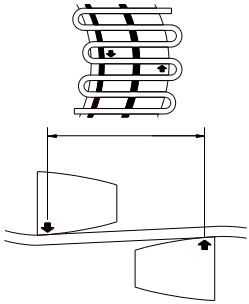
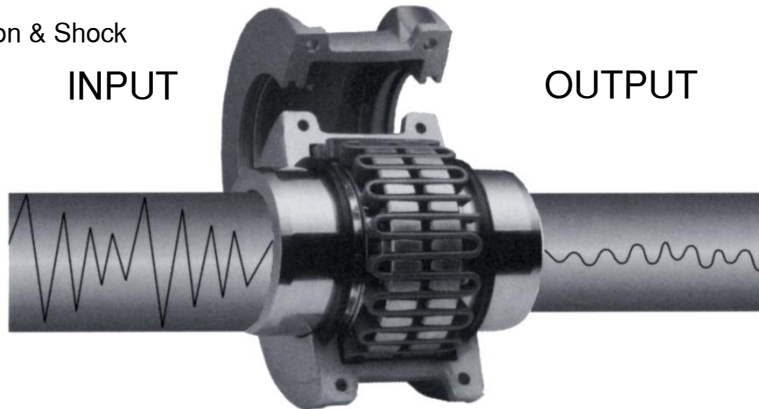
P: 269-637-2191 F: 269-637-8377

sci-couplings.com

INTRODUCTION

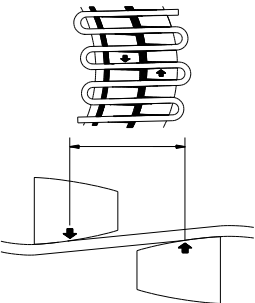
The steel grid coupling is similar in nature to a steel gear coupling, except the connecting sleeve is replaced by a flexible chrome-vanadium alloy leaf spring grid. The steel hubs are cut with profiled slots, allowing the grid to engage circumferentially. The grid “springs” deflect under torque, distributing the peak torque load over a large angle of rotation. The inherent property of torsional softness allows the coupling to absorb shock loads.

Vibration & Shock



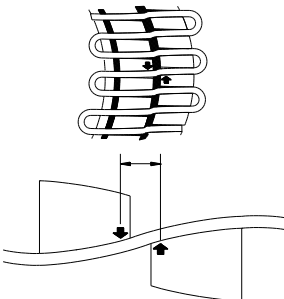
Light Load

The grid contacts near the outer edges of the hub teeth. A long span between the points of contact remains free to flex under load.



Normal Load

As the load increases, the distance between the contact points on the hub teeth is shortened, but a free span still remains to cushion the load.



Shock Load

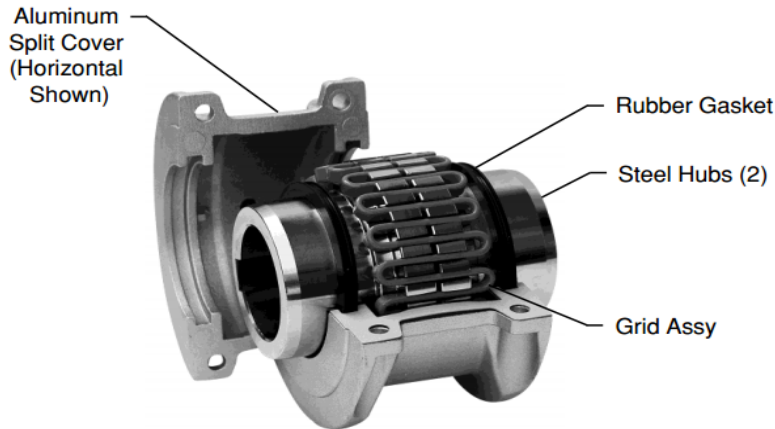
The coupling is flexible within its rated capacity. Under extreme overloads, the grid bears fully on the hub teeth and transmits full load directly.

ADVANTAGES

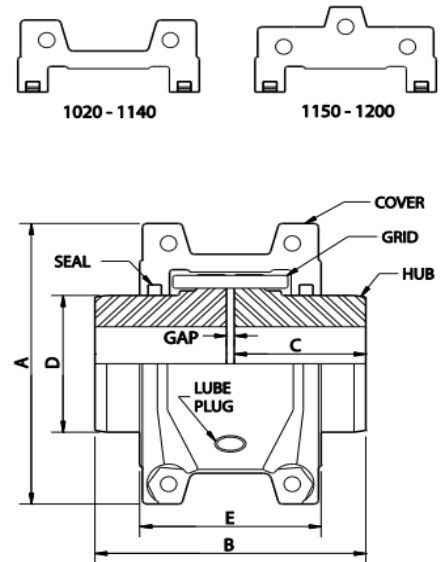
- Overload conditions cause the grid element to shear, like a mechanical fuse.
- Grid can be changed “in place”, saving time.
- Low maintenance.
- Quiet operation.
- Allows for parallel/angular misalignment and permits end float.
- Torsional flexibility.
- Competitively priced.

HORIZONTAL GRID COUPLING

DS129



COVER PROFILES

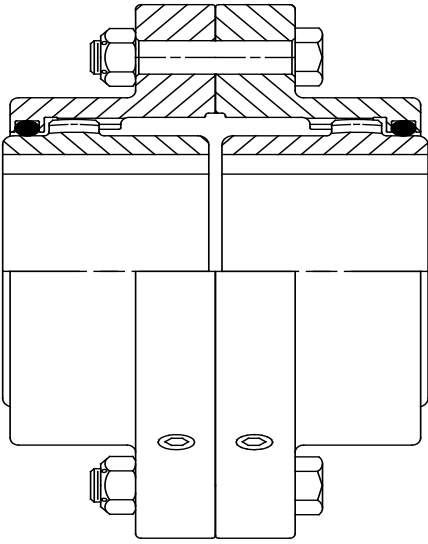


Horizontal Grid Coupling Size	1020	1030	1040	1050	1060	1070	1080	1090	1100	1110	1120	1130	1140	1150
HP Per 100 RPM (IN-LBS)	0.68	2	3	6	9	13	27	48	81	121	177	257	370	515
Max Speed (RPM)	4,500	4,500	4,500	4,500	4,350	4,125	3,600	3,600	2,400	2,250	2,025	1,800	1,650	1,500
Nom. Torque Rating (IN-LBS)	422	1,200	2,000	3,500	5,500	8,000	16,500	30,000	50,510	75,014	110,020	160,030	230,043	320,060
Max. Bore	1.18	1.38	1.70	1.97	2.17	2.56	3.07	3.75	4.21	4.61	5.35	6.50	7.25	8.00
Min. Bore	0.47	0.47	0.47	0.47	0.75	0.75	1.06	1.06	1.61	1.61	2.36	2.64	2.64	4.25
A	4.00	4.33	4.63	5.43	5.93	6.37	7.64	8.39	9.84	10.63	12.13	13.62	15.12	17.84
B	3.86	3.86	4.12	4.87	5.12	6.12	7.12	7.87	9.67	10.18	11.98	12.98	14.63	14.64
C	1.87	1.87	2.00	2.37	2.50	3.00	3.50	3.87	4.75	5.00	5.87	6.37	7.20	7.20
D	1.56	1.94	2.25	2.63	3.00	3.44	4.13	4.87	5.59	6.31	7.06	8.56	10.00	10.60
E	2.62	2.69	2.75	3.13	3.62	3.74	4.57	4.80	6.12	6.36	7.54	7.68	7.91	10.68
GAP MAX.	0.177	0.177	0.177	0.177	0.177	0.177	0.177	0.177	0.236	0.236	0.375	0.375	0.500	0.500
GAP MIN.	0.059	0.059	0.059	0.059	0.059	0.059	0.059	0.059	0.059	0.059	0.059	0.059	0.059	0.059
Coupling Weight (LBS)	4	6	8	12	16	22	40	55	93	119	179	267	393	516
Rough Stock Bores														

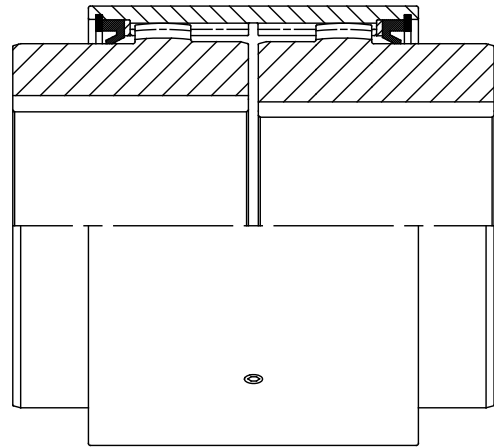
NOTES:

1. All dimensions in inches unless otherwise specified
2. Please specify Clearance or Interference fit at time of order
3. Please specify number of set screws per hub at time of order

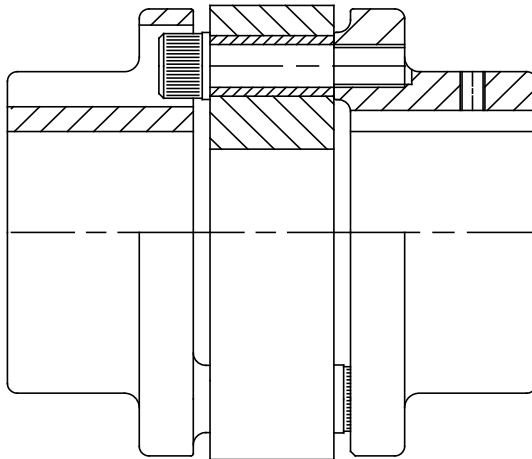
Other Products Also Available From System Components, Inc.



F Series
Powertork®



S Series
Powertork®



EL Series
Flextork®

Contact us at 1-800-866-1290
or visit us on the web!
sci-couplings.com