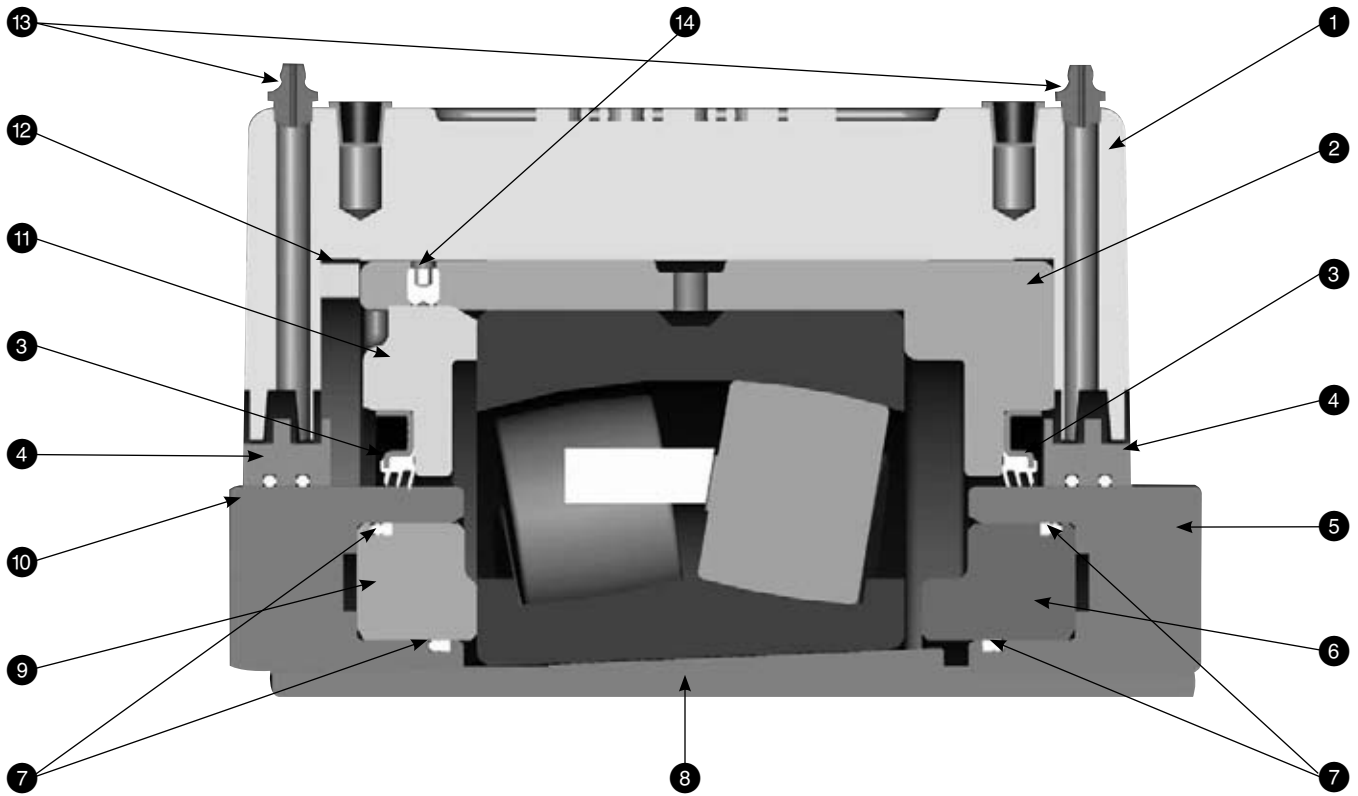


HYDRAULIC ISAF



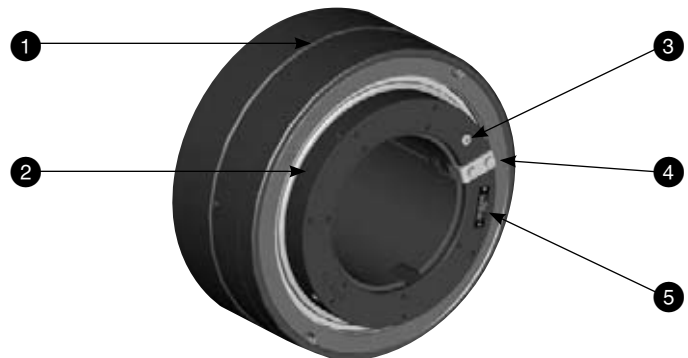
1	Pillow Block Housing	8	Adapter
2	Inner Unit	9	Mount Piston
3	Triple Lip Seal	10	Mount Nut
4	Aux. Seal	11	Adjusting Nut
5	Dismount Nut	12	Stab Ring
6	Dismount Piston	13	Lube Fitting (Aux. Seal)
7	O-rings & Backup Rings	14	Adjusting Nut Retaining Screw

Nomenclature

P4B	515	ISAF	207	R or RE	HYD
Housing Style	Housing Size	Bearing Type	Size	Other Data	Mounting
P4B = Pillow Block 4-Bolt Base	"5xx" for 222 series bearings or "0xx" for 230 series bearings; interchangeable with SAF style housings	ISAF = Imperial SAF	Inches and 16ths 8 = 8 and 07 = 7/16" or 807 = 8 7/16" 200M = 200 Millimeters	E = EXPANSION if E does not appear bearing is a non-expansion type R = Trident Triple-Lip Rubbing Seal	Built-in hydraulic assist

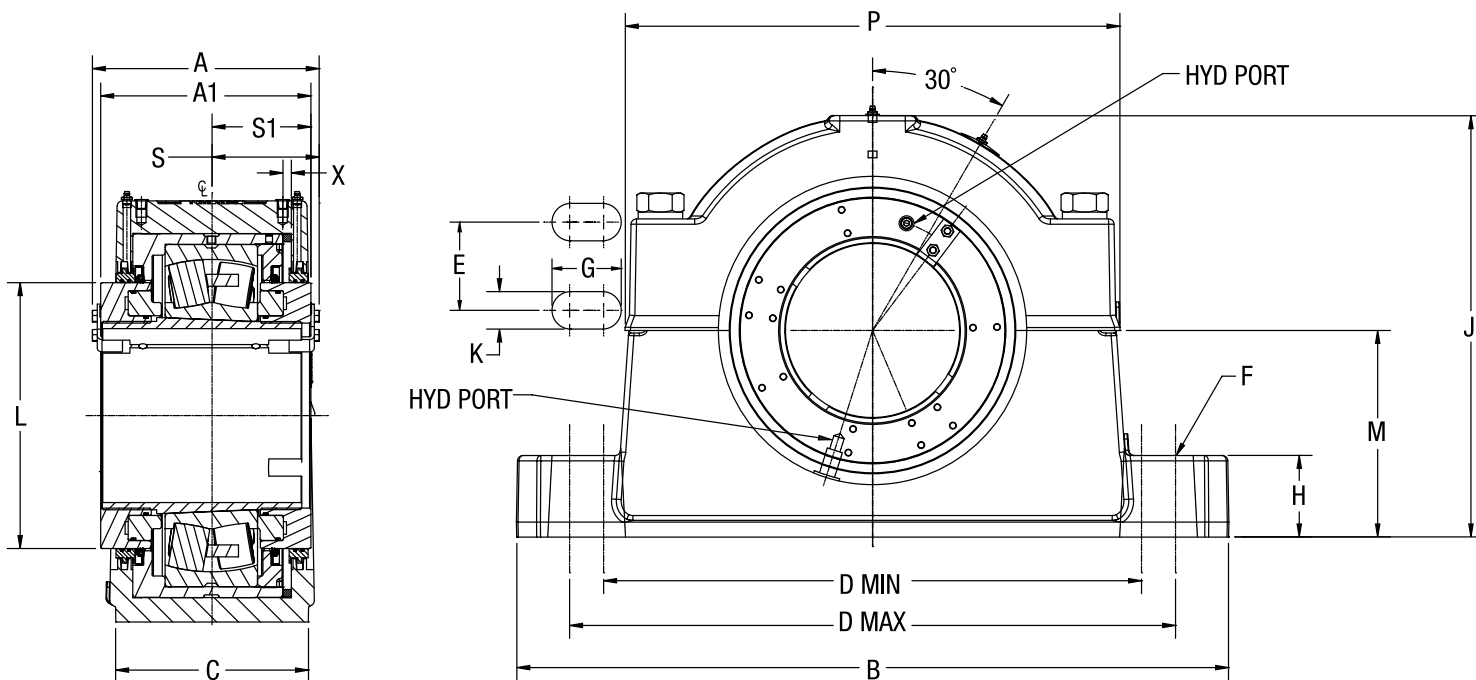
INNER UNIT

1	W33 Lube Groove (3 Lube Holes Spaced at 120°)
2	Rotation Assist Holes x 3
3	Face Hydraulic Port-Additional hydraulic port located on the nut OD 180° from the face port
4	Lock Clip and Bolts
5	Mount Nut Identification Plate



An online installation video is available at
http://www.dodge-pt.com/movie/video/isaf/PRV3003_ISAF.wmv

ISAF PILLOW BLOCK HYDRAULIC



Hydraulic Assist ISAF Pillow Block Dimensions

Shaft Size	SAF Series	Bearing Series	A	A1	B	C	D		E	F Bolts	G	H	J	K	L	M	P	S	S1	X
							Min	Max												
5-7/16" 5-1/2" 140mm	532	22232K	9.59	8.94	21.66	6.25	17.38	19.25	3.75	1	2.06	2.34	13.82	1.12	9.68	6.69	16.38	4.67	4.34	0.38
5-15/16" 6" 150mm	534	22234K	9.87	9.22	24.75	6.75	19.38	21.63	4.25	1	2.25	2.87	14.56	1.12	10.19	7.06	17.38	4.76	4.44	0.38
6-7/16" 6-1/2" 160mm	536	22236K	9.72	9.07	26.75	7.13	20.88	23.63	4.63	1	2.50	3.00	15.25	1.12	10.45	7.50	18.38	4.61	4.29	0.38
6-15/16" 7" 170mm	538	22238K	9.95	9.31	28.00	7.50	21.63	24.38	4.50	1-1/4	2.75	3.13	16.37	1.38	10.96	7.88	19.38	4.73	4.41	0.38
7-1/2" 7-15/16 8" 200mm	544	22244K	10.43	9.67	32.75	8.88	24.75	27.88	5.25	1-1.2	3.18	3.75	19.38	1.62	12.23	9.50	22.75	4.93	4.55	0.38
8-7/16" 8-1/2" 8-15/16" 9" 220mm	048	23048K	10.07	9.31	28.75	8.00	22.50	25.00	5.00	1-1/4	2.63	3.38	17.34	1.38	12.24	8.25	20.88	4.79	4.41	0.38
9-15/16" 10" 10-7/16" 10-1/2" 260mm	056	23056K	10.81	10.05	34.25	9.00	26.25	29.50	5.50	1-1/2	3.25	4.00	20.12	1.62	14.28	9.88	23.88	5.30	4.92	0.38
10-15/16" 11" 280mm	060	23060K	11.12	10.36	38.25	14.75	31.63	34.63	9.00	1-5/8	3.25	3.75	23.93	1.76	15.30	12.00	27.87	5.32	4.94	0.38
12-7/16" 12-1/2" 320mm	068	23068K	11.68	10.84	39.00	15.25	32.00	34.00	10.00	1-7/8	3.00	4.56	24.50	2.00	17.32	12.00	28.81	5.79	5.37	0.38
13-15/16" 14" 360mm	076	23076K	12.73	11.81	41.75	15.75	35.00	36.50	10.50	2	2.87	4.50	26.58	2.12	18.48	12.81	29.50	6.05	5.59	0.38
15" 380mm	080	23080K	13.19	12.27	46.00	17.13	39.25	40.75	11.00	2	2.87	5.75	29.00	2.12	19.49	14.50	33.56	6.28	5.82	0.38

Special bore sizes, including metric bores, are also available. Consult Dodge for availability.

Part Numbers

Non-Expansion	
P4B532-ISAF-507R HYD	072955
P4B532-ISAF-508R HYD	072564
P4B534-ISAF-515R HYD	072959
P4B534-ISAF-600R HYD	072565
P4B536-ISAF-607R HYD	072963
P4B536-ISAF-608R HYD	072566
P4B538-ISAF-615R HYD	072967
P4B538-ISAF-700R HYD	072567
P4B544-ISAF-800R HYD	072000
P4B048-ISAF-900R HYD	072001
P4B056-ISAF-1000R HYD	072002
P4B060-ISAF-1100R HYD	072003
P4B068-ISAF-1208R HYD	072004
P4B076-ISAF-1400R HYD	072005
P4B080-ISAF-1500R HYD	072006

Expansion	
P4B532-ISAF-507RE HYD	072956
P4B532-ISAF-508RE HYD	072568
P4B534-ISAF-515RE HYD	072960
P4B534-ISAF-600RE HYD	072569
P4B536-ISAF-607RE HYD	072964
P4B536-ISAF-608RE HYD	072570
P4B538-ISAF-615RE HYD	072968
P4B538-ISAF-700RE HYD	072571
P4B544-ISAF-800RE HYD	072007
P4B048-ISAF-900RE HYD	072008
P4B056-ISAF-1000RE HYD	072009
P4B060-ISAF-1100RE HYD	072010
P4B068-ISAF-1208RE HYD	072011
P4B076-ISAF-1400RE HYD	072012
P4B080-ISAF-1500RE HYD	072013

ISAF Large-Bore Hydraulic Assist Spherical Roller Bearings Selection Table

Shaft Size	Housing Designation	Bearing Series	Max RPM Grease	L10 Life Hours	Allowable Equivalent Radial Load Rating (lbs.) at Various RPM												
					50	100	150	200	250	300	400	500	550	600	650	700	750
5-7/16" 5-1/2" 140mm	532	22232K	1500	10,000	93,722	76,126	67,407	61,833	57,829	54,751	50,224	46,972	45,648	44,472	43,417	42,462	41,592
				30,000	67,407	54,751	48,480	44,472	41,592	39,378	36,122	33,783	32,831	31,985	31,226	30,540	29,914
				60,000	54,751	44,472	39,378	36,122	33,783	31,985	29,340	27,441	26,667	25,980	25,364	24,806	24,298
5-15/16" 6" 150mm	534	22234K	1300	10,000	108,140	87,837	77,777	71,346	66,726	63,175	57,951	54,199	52,671	51,314	50,096	48,995	47,991
				30,000	77,777	63,175	55,939	51,314	47,991	45,437	41,680	38,981	37,882	36,906	36,030	35,238	34,518
				60,000	63,175	51,314	45,437	41,680	38,981	36,906	33,854	31,662	30,770	29,977	29,266	28,622	28,036
6-7/16" 6-1/2" 160mm	536	22236K	1300	10,000	109,943	89,301	79,073	72,535	67,838	64,227	58,917	55,102	53,549	52,169	50,931	49,811	48,791
				30,000	79,073	64,227	56,871	52,169	48,791	46,194	42,374	39,631	38,513	37,521	36,631	35,825	35,092
				60,000	64,227	52,169	46,194	42,374	39,631	37,521	34,419	32,190	31,283	30,477	29,753	29,099	28,503
6-15/16" 7" 170mm	538	22238K	1200	10,000	97,326	79,053	69,999	64,211	60,054	56,857	52,156	48,779	47,404	46,182	45,087	44,095	43,192
				30,000	69,999	56,857	50,345	46,182	43,192	40,893	37,512	35,083	34,094	33,215	32,427	31,714	31,065
				60,000	56,857	46,182	40,893	37,512	35,083	33,215	30,469	28,496	27,693	26,979	26,339	25,760	25,232
7-1/2" 7-15/16" 8" 200mm	544	22244K	950	10,000	131,571	106,869	94,629	86,804	81,184	76,862	70,507	65,942	64,083	62,432	60,950	59,610	58,389
				30,000	94,629	76,862	68,059	62,432	58,389	55,281	50,710	47,427	46,090	44,902	43,837	42,873	41,995
				60,000	76,862	62,432	55,281	50,710	47,427	44,902	41,190	38,522	37,437	36,472	35,607	34,824	34,110
8-7/16" 8-1/2" 8-15/16" 9" 220mm	048	23048K	800	10,000	93,722	76,126	67,407	61,833	57,829	54,751	50,224	46,972	45,648	44,472	43,417	42,462	41,592
				30,000	67,407	54,751	48,480	44,472	41,592	39,378	36,122	33,783	32,831	31,985	31,226	30,540	29,914
				60,000	54,751	44,472	39,378	36,122	33,783	31,985	29,340	27,441	26,667	25,980	25,364	24,806	24,298
9-15/16" 10" 10-7/16" 10-1/2" 260mm	056	23056K	700	10,000	124,361	101,013	89,444	82,048	76,735	72,650	66,644	62,328	60,571	59,010	57,610		
				30,000	89,444	72,651	64,330	59,010	55,190	52,252	47,932	44,828	43,564	42,442	41,435		
				60,000	72,651	59,011	52,252	47,932	44,828	42,441	38,932	36,412	35,385	34,474	33,356		
10-15/16" 11" 280mm	060	23060K	630	50,000	97,865	79,491	70,387	64,567	60,386	57,172	52,445	49,049	47,666	46,438	45,336		
				80,000	84,995	69,037	61,130	56,076	52,445	49,653	45,548	42,598	41,397	40,331	39,374		
				100,000	79,491	64,567	57,172	52,445	49,049	46,438	42,598	39,840	38,717	37,719	36,284		
12-7/16" 12-1/2" 320mm	068	23068K	560	50,000	117,883	95,751	84,784	77,774	72,738	68,866	63,172	59,081	57,416				
				80,000	102,380	83,158	73,634	67,546	63,172	59,809	54,864	51,312	49,665				
				100,000	95,751	77,774	68,866	63,172	59,081	55,937	51,312	47,989	46,636				
13-15/16" 14" 360mm	076	23076K	500	50,000	126,780	102,977	91,183	83,643	78,227	74,064	67,940						
				80,000	110,107	89,435	79,191	72,643	67,940	64,323	59,005						
				100,000	102,977	83,643	74,064	67,940	63,540	60,158	55,184						
15" 380mm	080	23080K	450	50,000	151,246	122,850	108,780	99,785	93,324	88,357	81,051						
				80,000	131,355	106,694	94,474	86,662	81,051	76,737	70,392						
				100,000	122,850	99,785	88,357	81,051	75,803	71,768	65,834						



BALDOR

World Headquarters

P.O. Box 2400, Fort Smith, AR 72902-2400 U.S.A., Ph: (1) 479.646.4711, Fax (1) 479.648.5792, International Fax (1) 479.648.5895

Baldor - Dodge

6040 Ponders Court, Greenville, SC 29615-4617 U.S.A., Ph: (1) 864.297.4800, Fax: (1) 864.281.2433

www.baldor.com